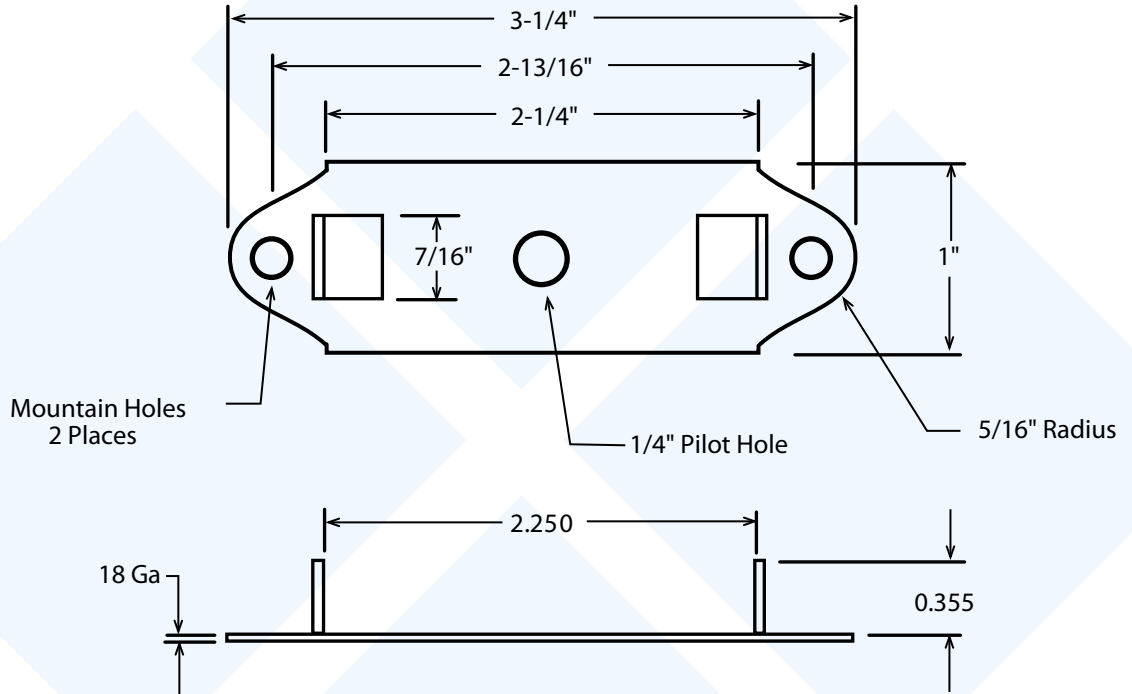


Welding Strap

3/4" Horiz. Mounting

10/05 • Page 78

HMS75100



Mounting
3/16" Holes
3/16" X 9/32" Slots

Bahrs

Tolerances:
 Decimal ± 0.005"
 Fractional ± 1/64"

Material 18 GA
 CRS – Colled Rolled Steel

Phone(513)793-8100
 FAX:(513)793-0624

Links

E-Mail: info@bahrsdie.com
 Web: www.bahrsdie.com



Bahrs
 Die & Stamping Co., Inc.
 4375 Rossplain Rd., Cincinnati, OH 45236