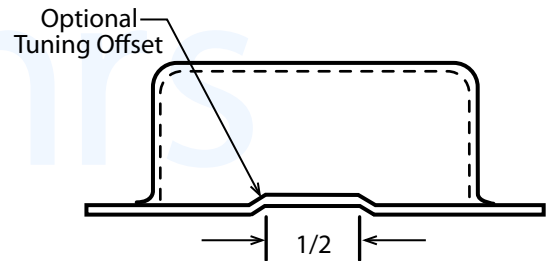
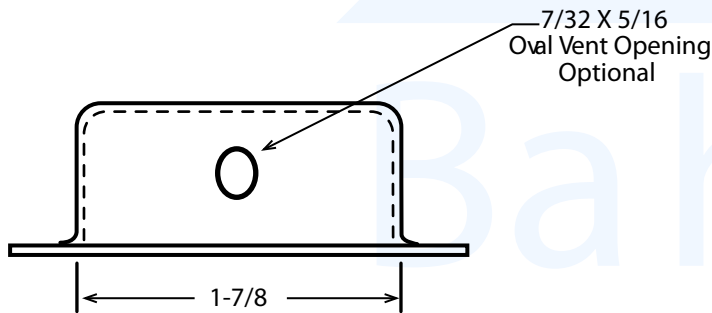
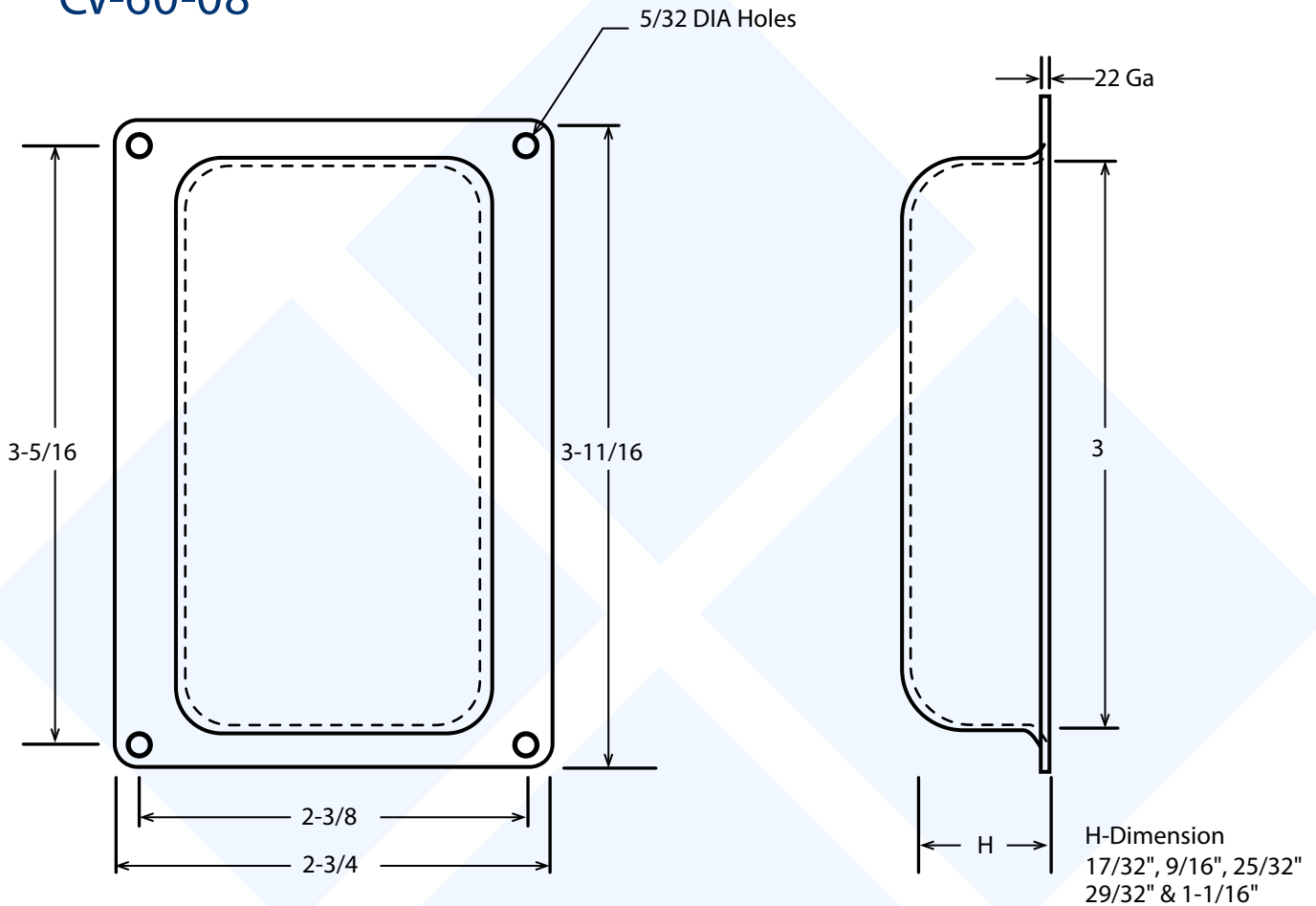


CV-60-08



See Pages 35 & 36 for Lead Exits

CV-60-08-A

Tolerances:
Decimal $\pm 0.005"$
Fractional $\pm 1/64"$

Material 22 GA
CRS - Colled Rolled Steel

Phone:(513)793-8100
FAX:(513)793-0624

Links E-Mail: info@bahrsdie.com
Web: www.bahrsdie.com



Bahrs
Die & Stamping Co., Inc.
4375 Rossplain Rd., Cincinnati, OH 45236