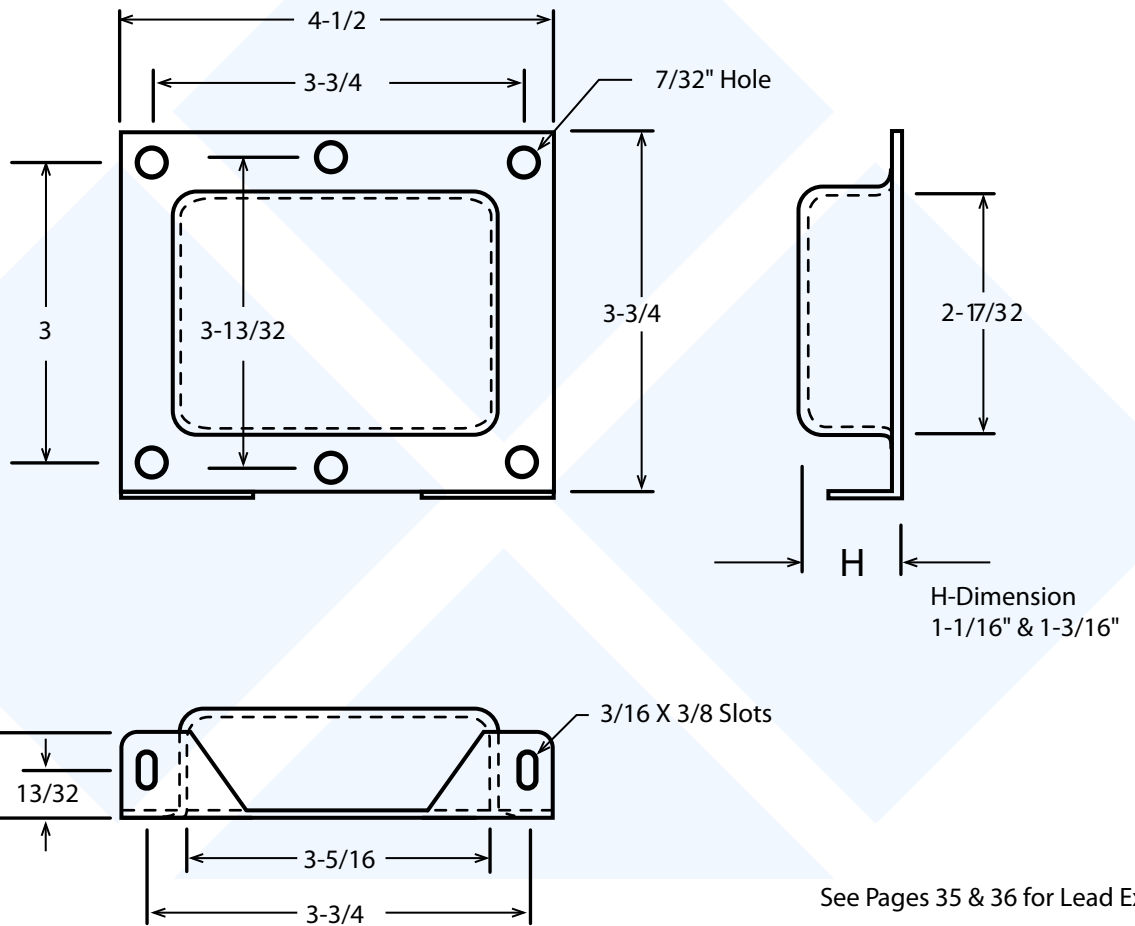


HC-500



See Pages 35 & 36 for Lead Exits

Bahrs

Tolerances:

Material 22 GA
CRS - Colled Rolled Steel

Phone(513)793-8100
FAX:(513)793-0624

Links

E-Mail: info@bahrsdie.com
Web: www.bahrsdie.com



Bahrs

Die & Stamping Co., Inc.
4375 Rossplain Rd., Cincinnati, OH 45236