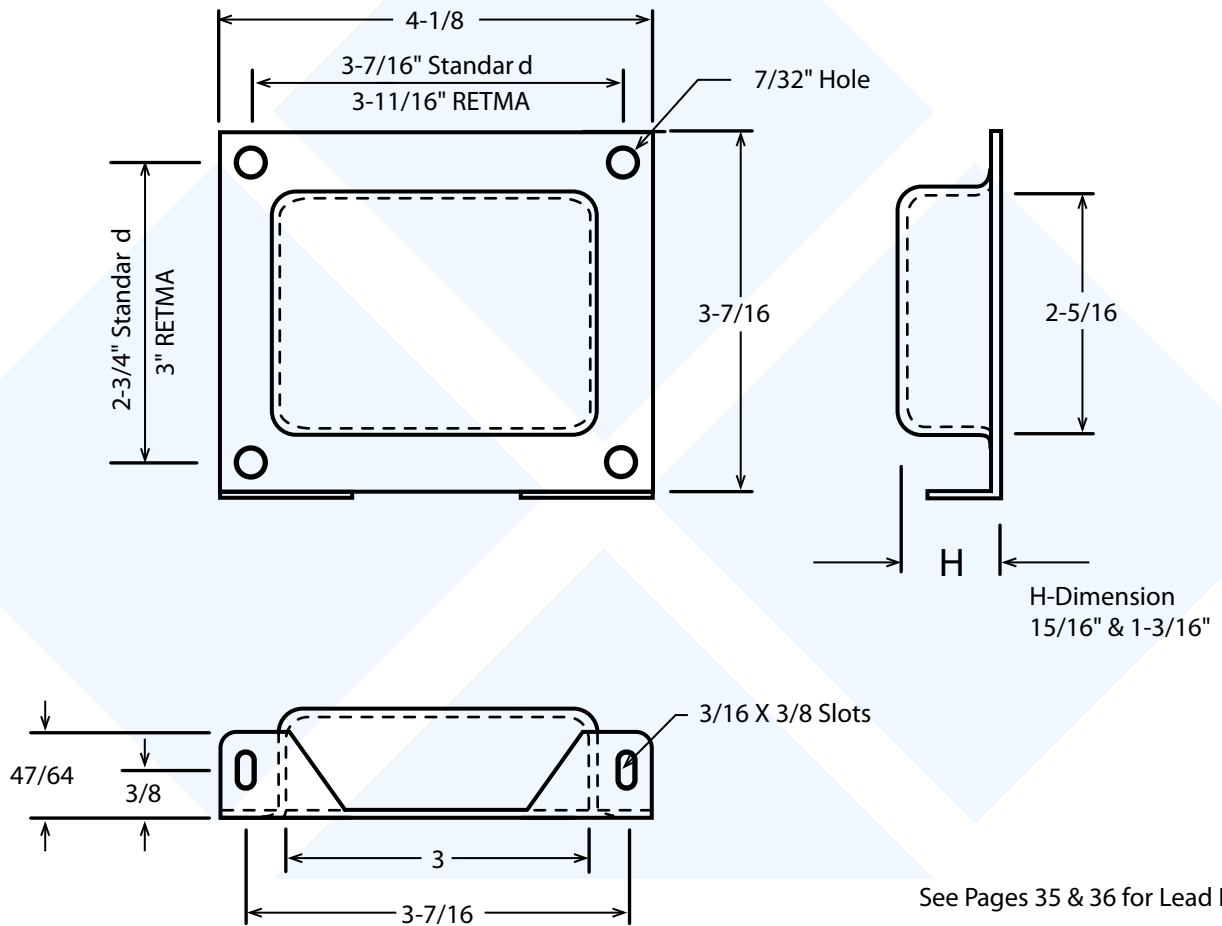


Horizontal Cover

1-3/8" Lamination
(18 Ga)

10/05 · Page 33

HC-400-18



Tolerances:
Decimal $\pm 0.005"$
Fractional $\pm 1/64"$

Material 18 GA
CRS - Colled Rolled Steel

Phone(513)793-8100
FAX:(513)793-0624

Links

E-Mail: info@bahrsdie.com
Web: www.bahrsdie.com



Bahrs
Die & Stamping Co., Inc.
4375 Rossplain Rd., Cincinnati, OH 45236