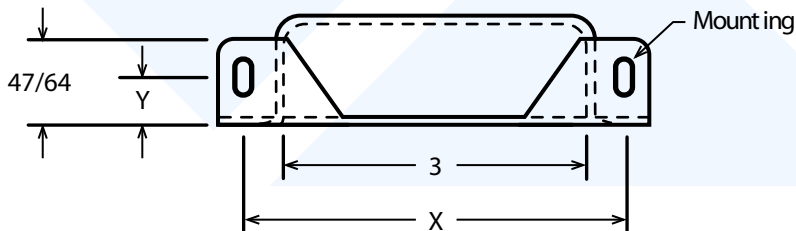
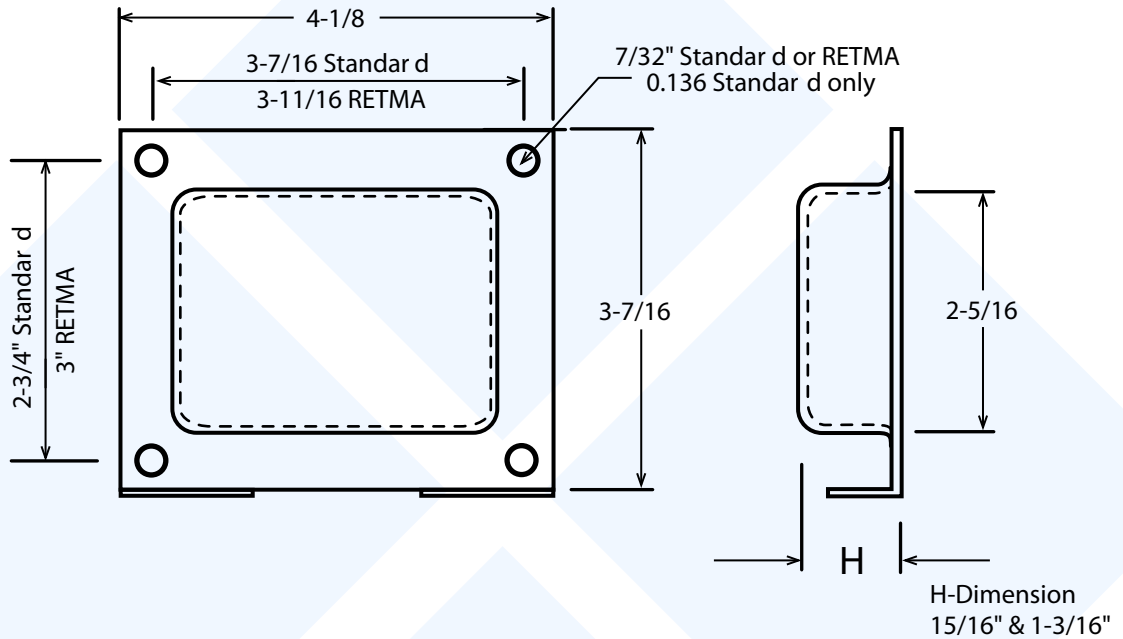


Horizontal Cover

1-3/8" Lamination
(22Ga)

10/05 · Page 32

HC-400



See Pages 35 & 36 for Lead Exits

Mounting	X	Y
3/16" X 3/8" Slot	3-7/16"	3/8"
#8 Extrusion	3-1/16"	3/8"
#10 Extrusion	3-1/16"	3/8"

Tolerances:
Decimal $\pm 0.005"$
Fractional $\pm 1/64"$

Material 22 GA
CRS - Colled Rolled Steel

Phone(513)793-8100
FAX:(513)793-0624

Links

E-Mail: info@bahrsdie.com
Web: www.bahrsdie.com



Bahrs
Die & Stamping Co., Inc.
4375 Rossplain Rd., Cincinnati, OH 45236