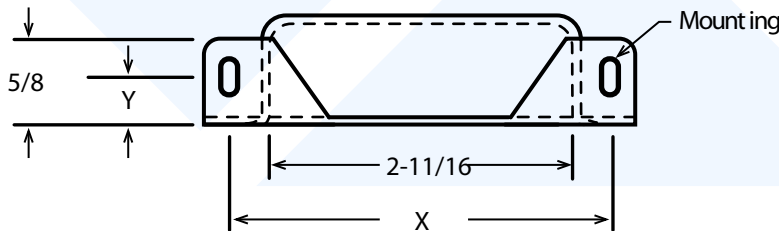
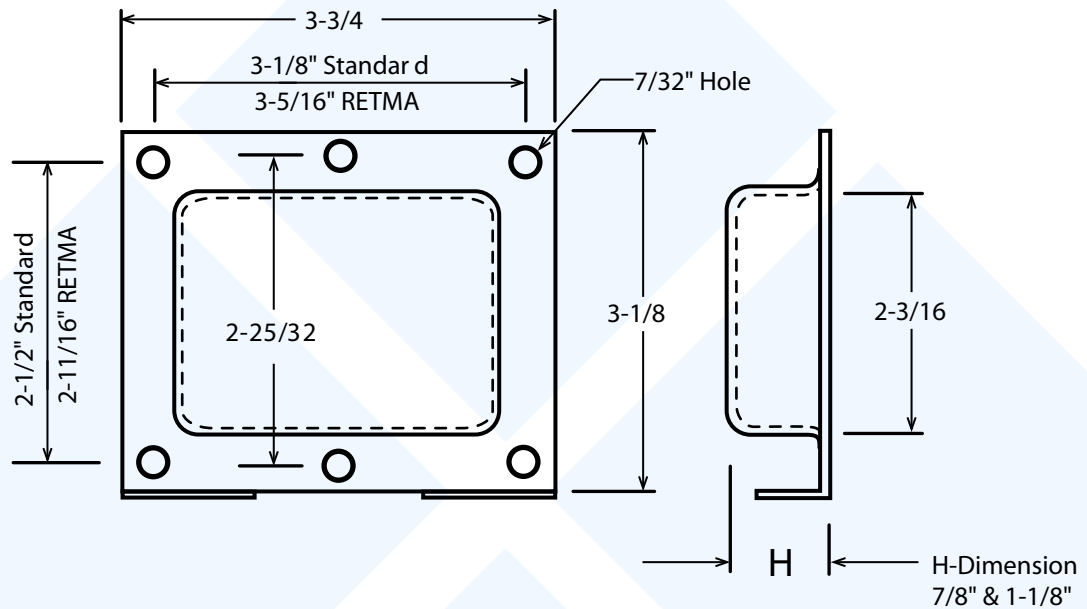


Horizontal Cover

1-1/4" Lamination
(22 Ga)

10/05 • Page 30

HC-300



See Pages 35 & 36 for Lead Exits

| Mounting | X | Y |
|-------------------|---------|------|
| 7/32" X 3/8" Slot | 3-1/4" | 3/8" |
| #8 Extrusion | 2-1/2" | 3/8" |
| #8 Extrusion | 3-1/16" | 3/8" |
| #10 Extrusion | 2-1/2" | 3/8" |
| #10 Extrusion | 3-1/16" | 3/8" |
| 3/16" X 3/8" Slot | 2-1/2" | 3/8" |

Tolerances:
Decimal $\pm 0.005"$
Fractional $\pm 1/64"$

Material 22 GA
CRS – Colled Rolled Steel

Phone:(513)793-8100
FAX:(513)793-0624

Links E-Mail: info@bahrsdie.com
Web: www.bahrsdie.com



Bahrs
Die & Stamping Co., Inc.
4375 Rossplain Rd., Cincinnati, OH 45236