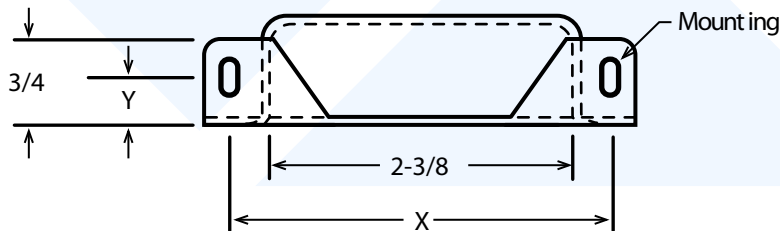
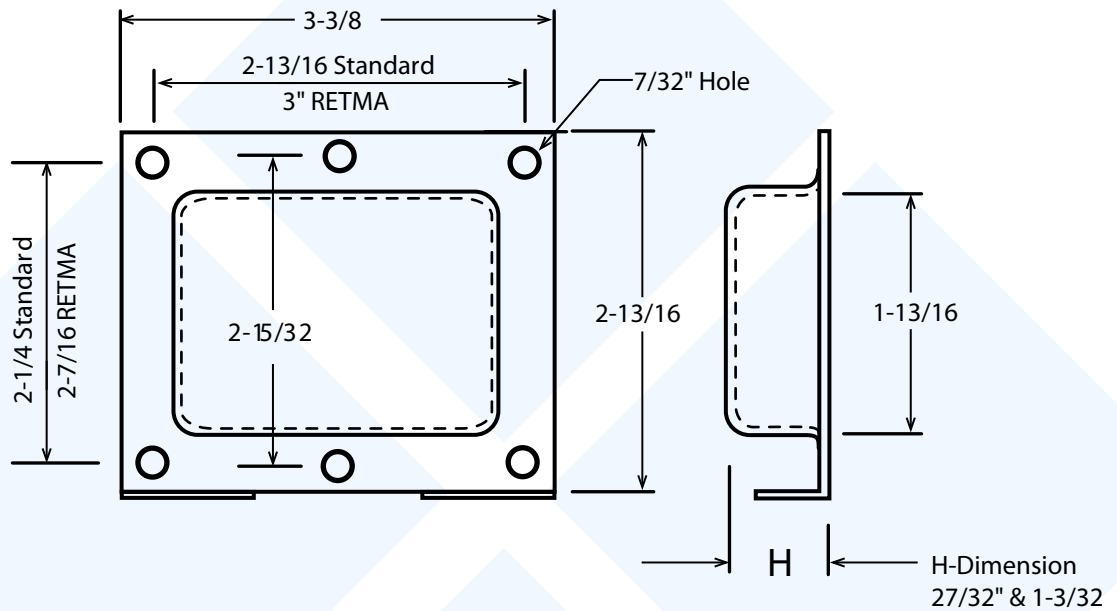


HC-200



See Pages 35 & 36 for Lead Exits

Mounting	X	Y	
3/16" X 3/8" Slot	2-1/2"	3/8"	
#8 Extrusion	2-1/2"	3/8"	
13/64" X 3/8" Slot	2-13/16"	3/8"	Standard Only
3/16" X 3/8" Slot	2-13/16"	13/32"	RETMA Only

Tolerances:
 Decimal $\pm 0.005"$
 Fractional $\pm 1/64"$

Material 22 GA
 CRS - Colled Rolled Steel

Phone(513)793-8100
 FAX:(513)793-0624

Links E-Mail: info@bahrsdie.com
 Web: www.bahrsdie.com



Bahrs
 Die & Stamping Co., Inc.
 4375 Rossplain Rd., Cincinnati, OH 45236