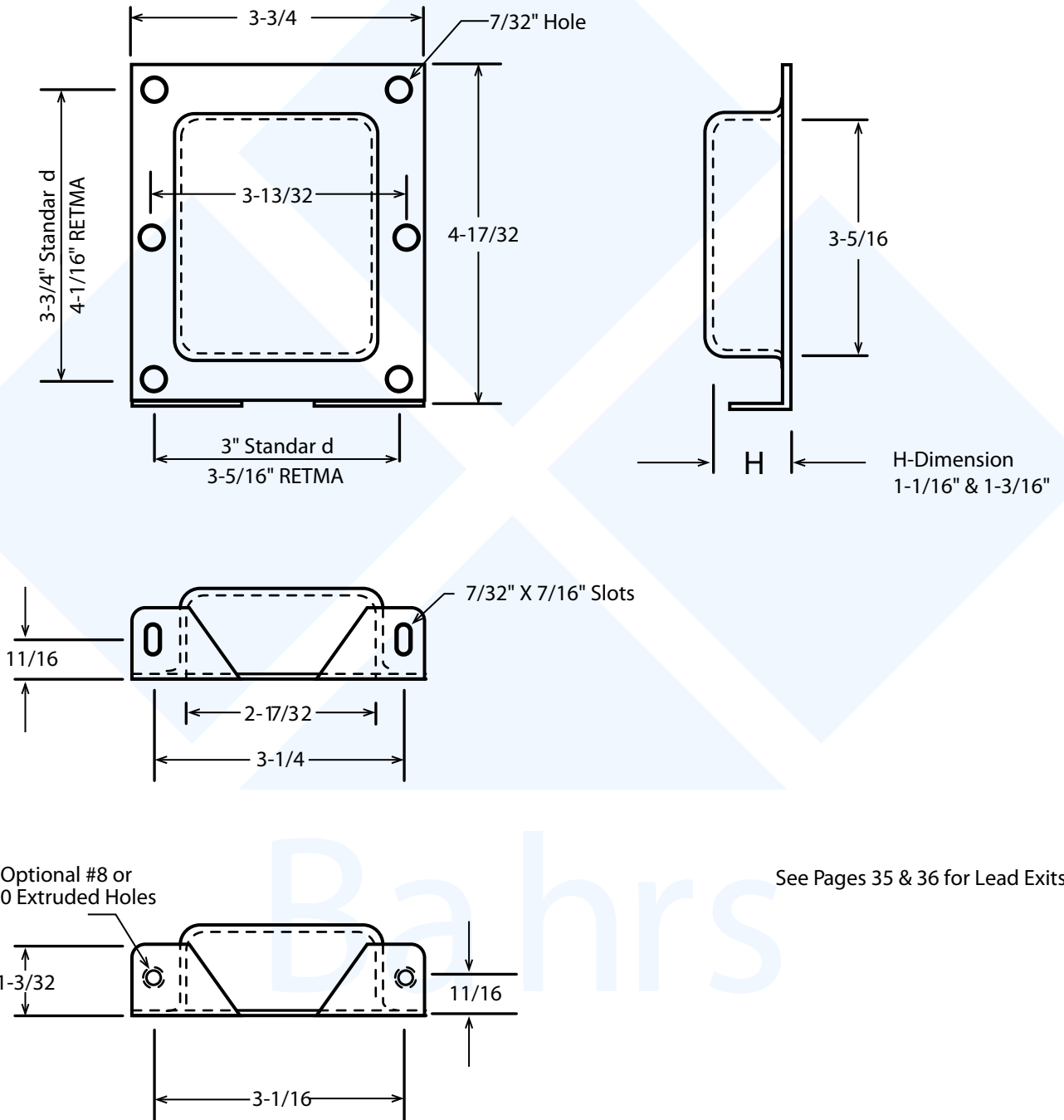


VC-500



See Pages 35 & 36 for Lead Exits

Tolerances:
 Decimal ± 0.005 "
 Fractional $\pm 1/64$ "

Material 20 GA
 CRS - Colled Rolled Steel

Phone(513) 793-8100
 FAX:(513) 793-0624

Links E-Mail: info@bahrsdie.com
 Web: www.bahrsdie.com



Bahrs

Die & Stamping Co., Inc.
 4375 Rossplain Rd., Cincinnati, OH 45236