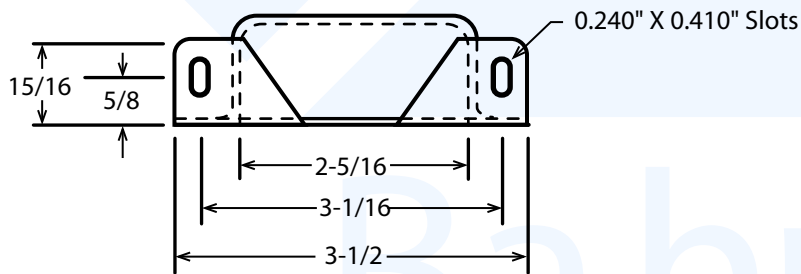
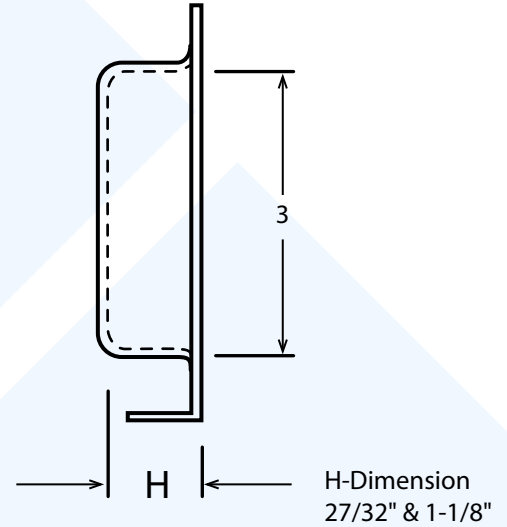
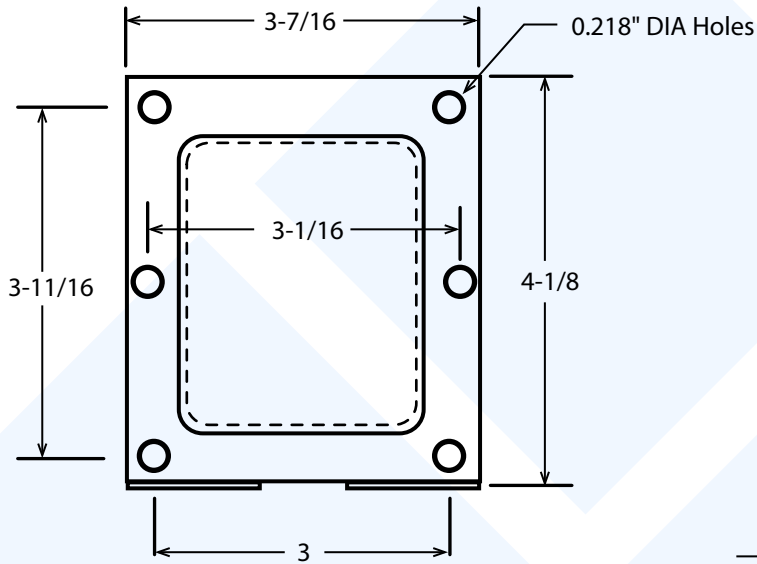


Vertical Cover

1-3/8" Lamination
(18 Ga)

10/05 · Page 25

VC-470



See Pages 35 & 36 for Lead Exits

Tolerances:
Decimal ± 0.005 "
Fractional $\pm 1/64$ "

Material 18 GA
CRS - Colled Rolled Steel

Phone(513)793-8100
FAX:(513)793-0624

Links

E-Mail: info@bahrsdie.com
Web: www.bahrsdie.com



Bahrs

Die & Stamping Co., Inc.
4375 Rossplain Rd., Cincinnati, OH 45236