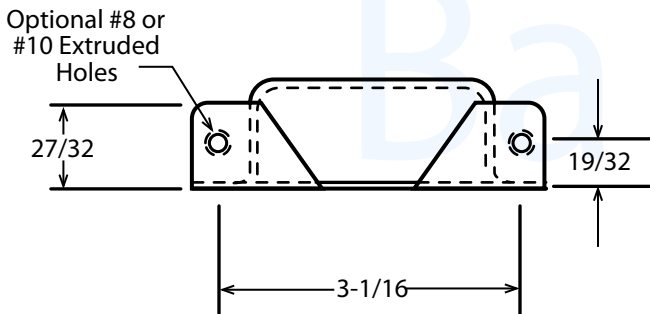
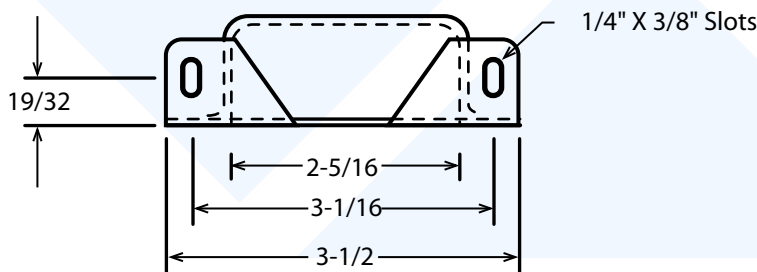
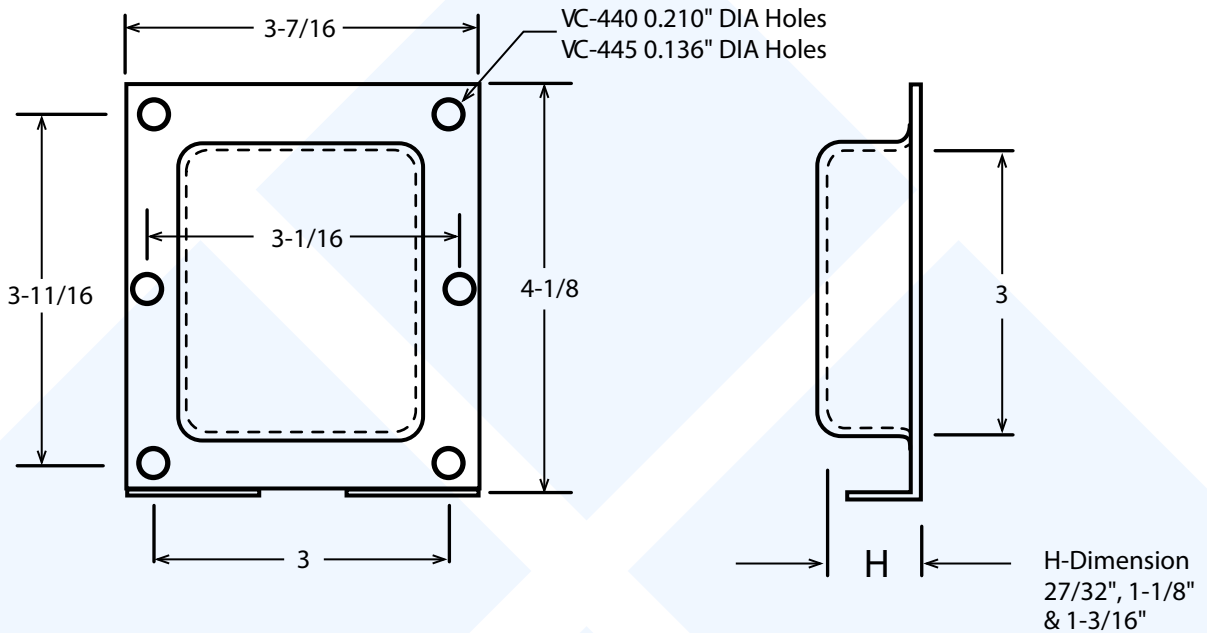


Vertical Cover

1-3/8" Lamination
(18 Ga)

10/05 · Page 24

VC-440, VC-445



See Pages 35 & 36 for Lead Exits

Tolerances: Material 18 GA
Decimal $\pm 0.005"$ CRS - Colled Rolled Steel
Fractional $\pm 1/64"$

Phone:(513) 793 -8 100
FAX:(513) 793 -0624

Links

E-Mail: info@bahrsdie.com
Web: www.bahrsdie.com



Bahrs
Die & Stamping Co., Inc.
4375 Rossplain Rd., Cincinnati, OH 45236