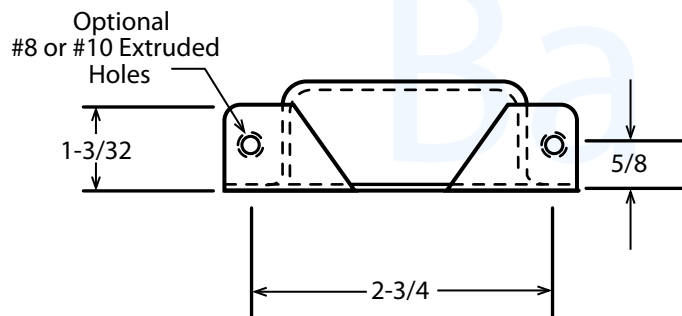
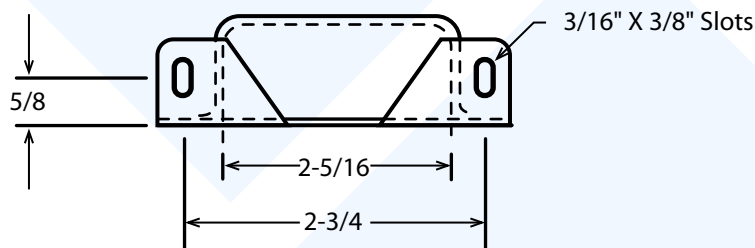
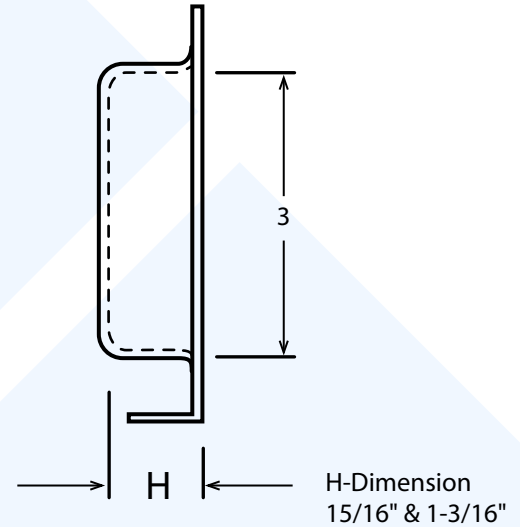
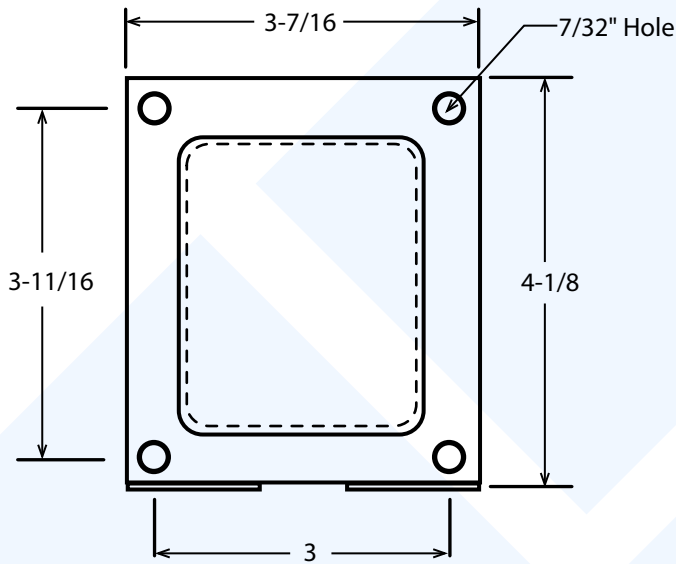


# Vertical Cover

1-3/8" Lamination  
(22 Ga)

10/05 · Page 22

## VC-400 RETMA Holes



See Pages 35 & 36 for Lead Exits

Tolerances:  
Decimal  $\pm 0.005"$   
Fractional  $\pm 1/64"$

Material 22 GA  
CRS - Colled Rolled Steel

Phone(513)793-8100  
FAX:(513)793-0624

Links

E-Mail: [info@bahrsdie.com](mailto:info@bahrsdie.com)  
Web: [www.bahrsdie.com](http://www.bahrsdie.com)



**Bahrs**  
Die & Stamping Co., Inc.  
4375 Rossplain Rd., Cincinnati, OH 45236