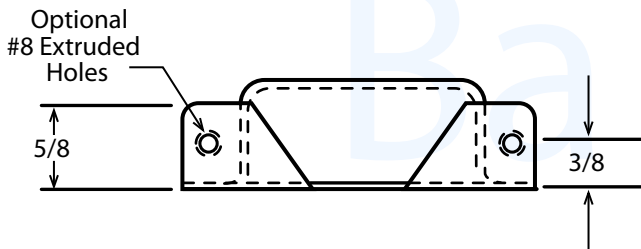
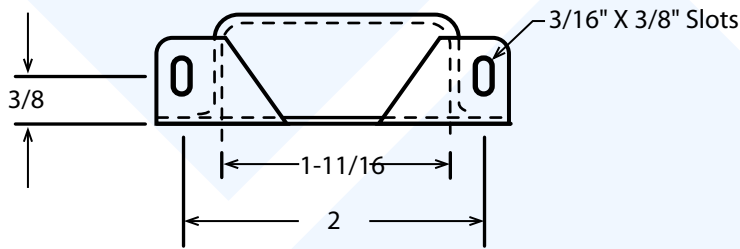
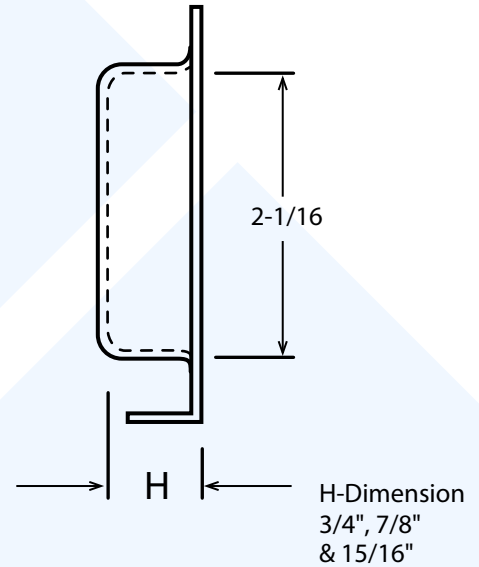
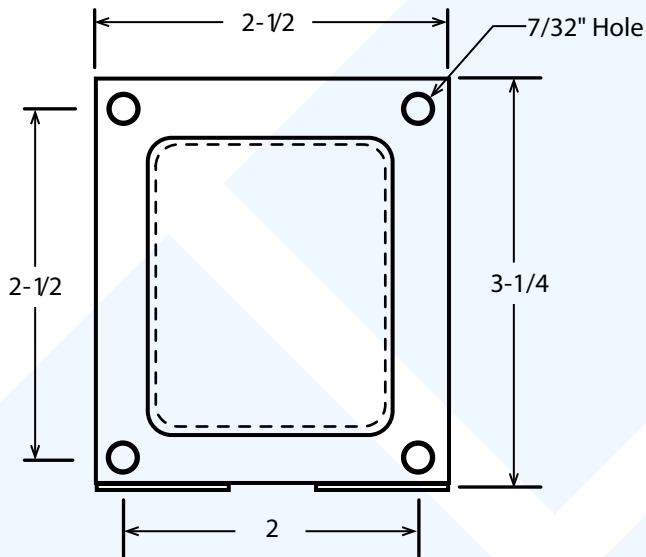


# Vertical Cover

1" Lamination  
 1/4" Raised  
 10/05 • Page 18

VC-100-25



See Pages 35 & 36 for Lead Exits

Tolerances:  
 Decimal  $\pm 0.005"$   
 Fractional  $\pm 1/64"$

Material 22 GA  
 CRS - Colled Rolled Steel

Phone:(513)793-8100  
 FAX:(513)793-0624

Links E-Mail: [info@bahrsdie.com](mailto:info@bahrsdie.com)  
 Web: [www.bahrsdie.com](http://www.bahrsdie.com)



**Bahrs**  
 Die & Stamping Co., Inc.  
 4375 Rossplain Rd., Cincinnati, OH 45236