

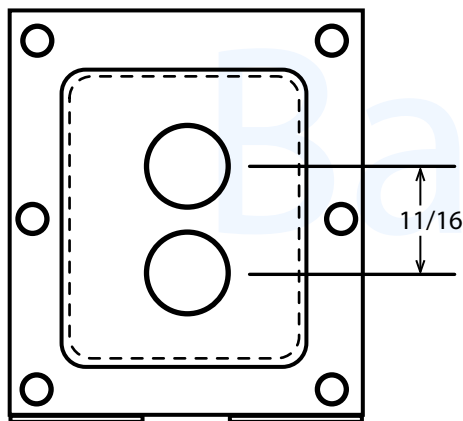
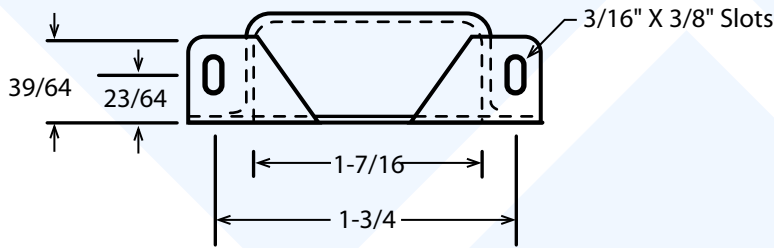
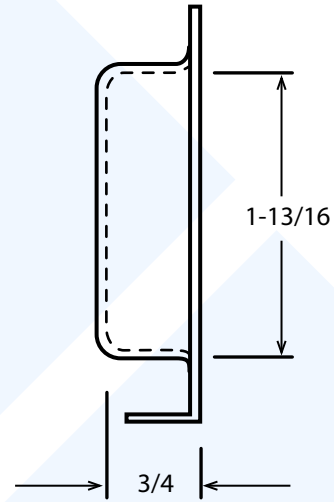
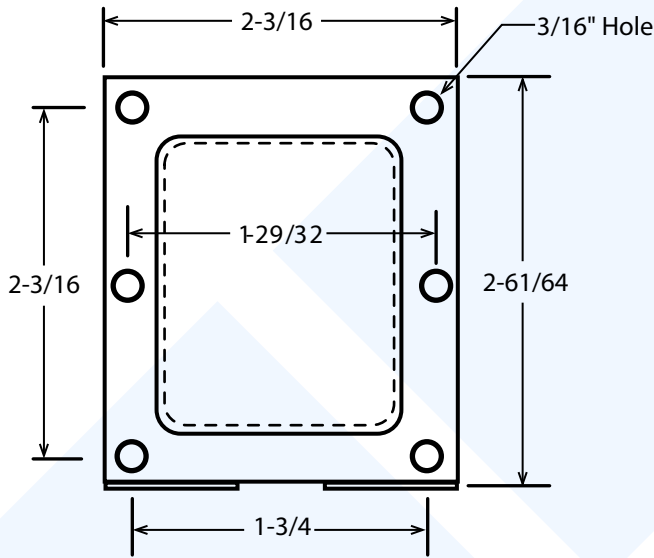
# Vertical Cover

7/8" Lamination

21/64" Raised

10/05 · Page 15

## VC-87-32-A



See Pages 35 & 36 for Lead Exits

## VC-87-32

With optional  
0.453 Diameter Holes

Tolerances:  
Decimal  $\pm 0.005"$   
Fractional  $\pm 1/64"$

Material 22 GA  
CRS - Colled Rolled Steel

Phone(513)793-8100  
FAX:(513)793-0624

Links E-Mail: [info@bahrsdie.com](mailto:info@bahrsdie.com)  
Web: [www.bahrsdie.com](http://www.bahrsdie.com)



# Bahrs

Die & Stamping Co., Inc.  
4375 Rossplain Rd., Cincinnati, OH 45236