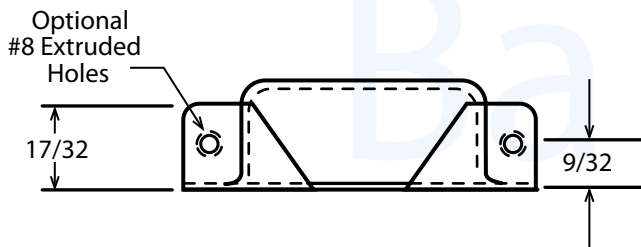
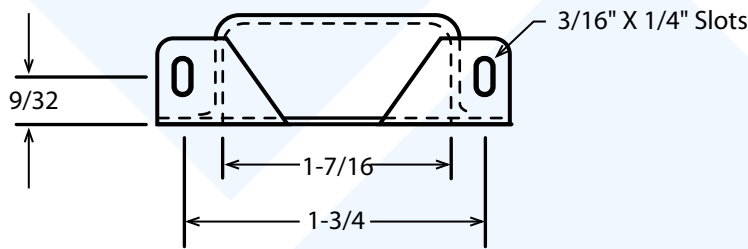
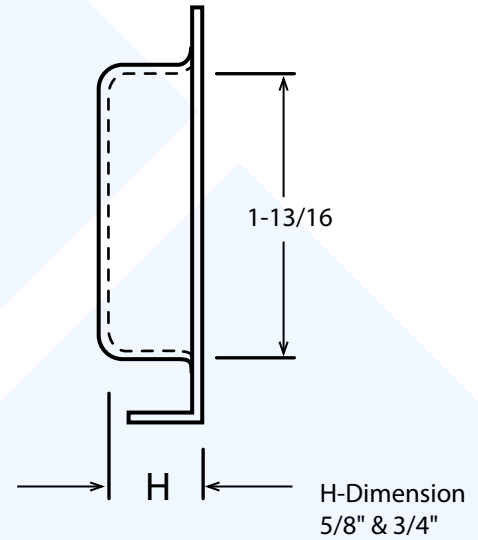
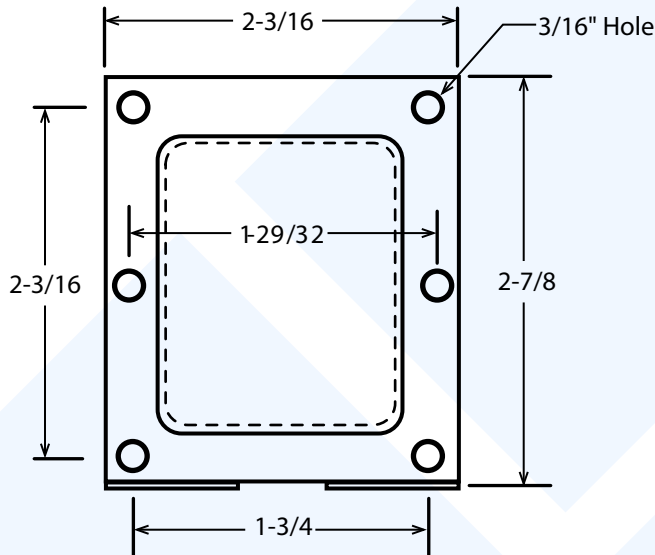


Vertical Cover

7/8" Lamination
1/4" Raised

10/05 • Page 14

VC-87-25



See Page 35 & 36 for Lead Exits

Tolerances:
Decimal ± 0.005 "
Fractional $\pm 1/64$ "

Material 22 GA
CRS - Colled Rolled Steel

Phone(513)793-8100
FAX:(513)793-0624

Links E-Mail: info@bahrsdie.com
Web: www.bahrsdie.com



Bahrs
Die & Stamping Co., Inc.
4375 Rossplain Rd., Cincinnati, OH 45236