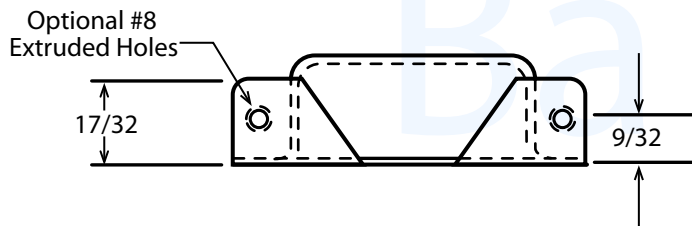
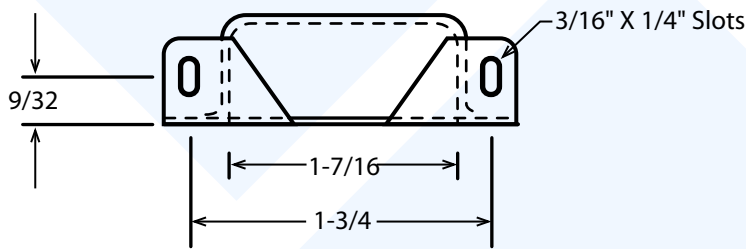
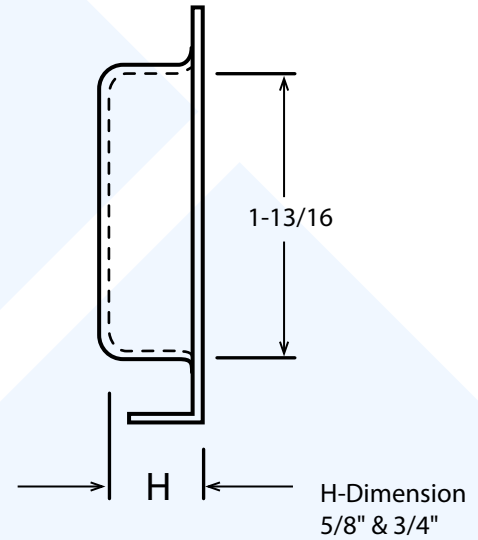
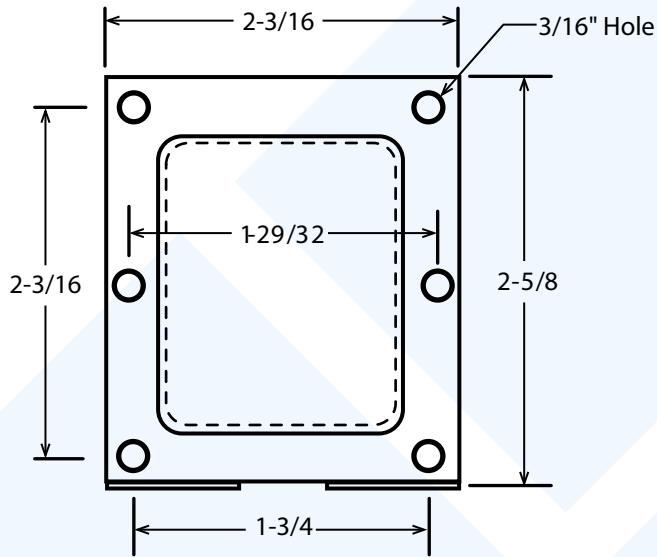


VC-87



See Pages 35 & 36 for Lead Exits

Tolerances:
 Decimal $\pm 0.005"$
 Fractional $\pm 1/64"$

Material 22 GA
 CRS - Colled Rolled Steel

Phone(513)793-8100
 FAX:(513)793-0624

Links E-Mail: info@bahrsdie.com
 Web: www.bahrsdie.com



Bahrs
 Die & Stamping Co., Inc.
 4375 Rossplain Rd., Cincinnati, OH 45236