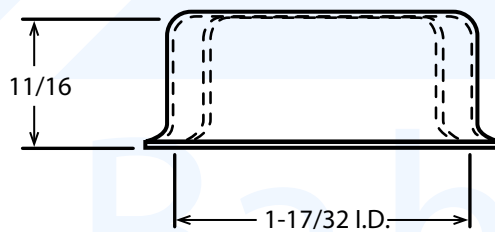
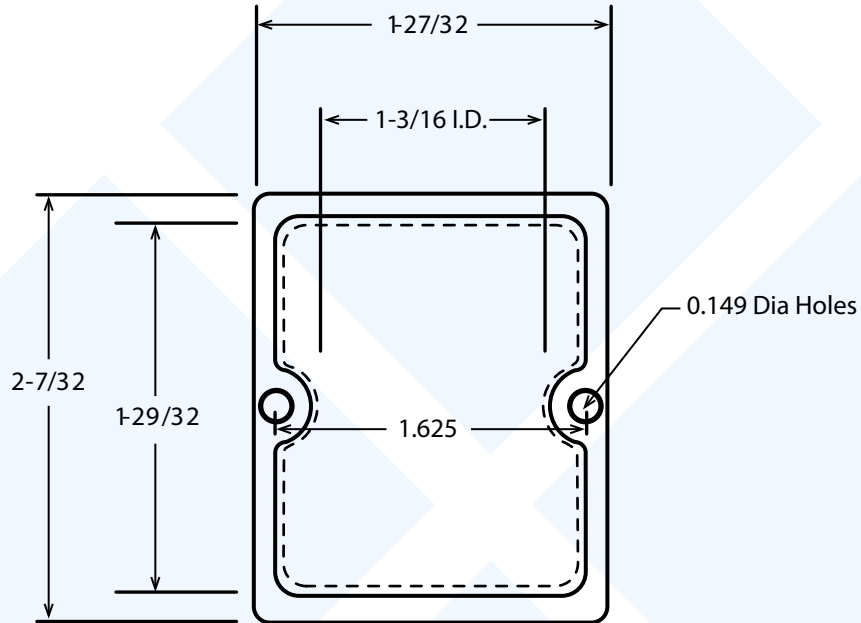


CWO7220

For use with Terminal End Bobbins



See Pages 35 & 36 for Lead Exits

Tolerances:  
Decimal  $\pm 0.005$ "  
Fractional  $\pm 1/64$ "

Material 22 GA  
CRS - Colled Rolled Steel

Phone(513)793-8100  
FAX:(513)793-0624

Links

E-Mail: [info@bahrsdie.com](mailto:info@bahrsdie.com)  
Web: [www.bahrsdie.com](http://www.bahrsdie.com)



**Bahrs**  
Die & Stamping Co., Inc.  
4375 Rossplain Rd., Cincinnati, OH 45236