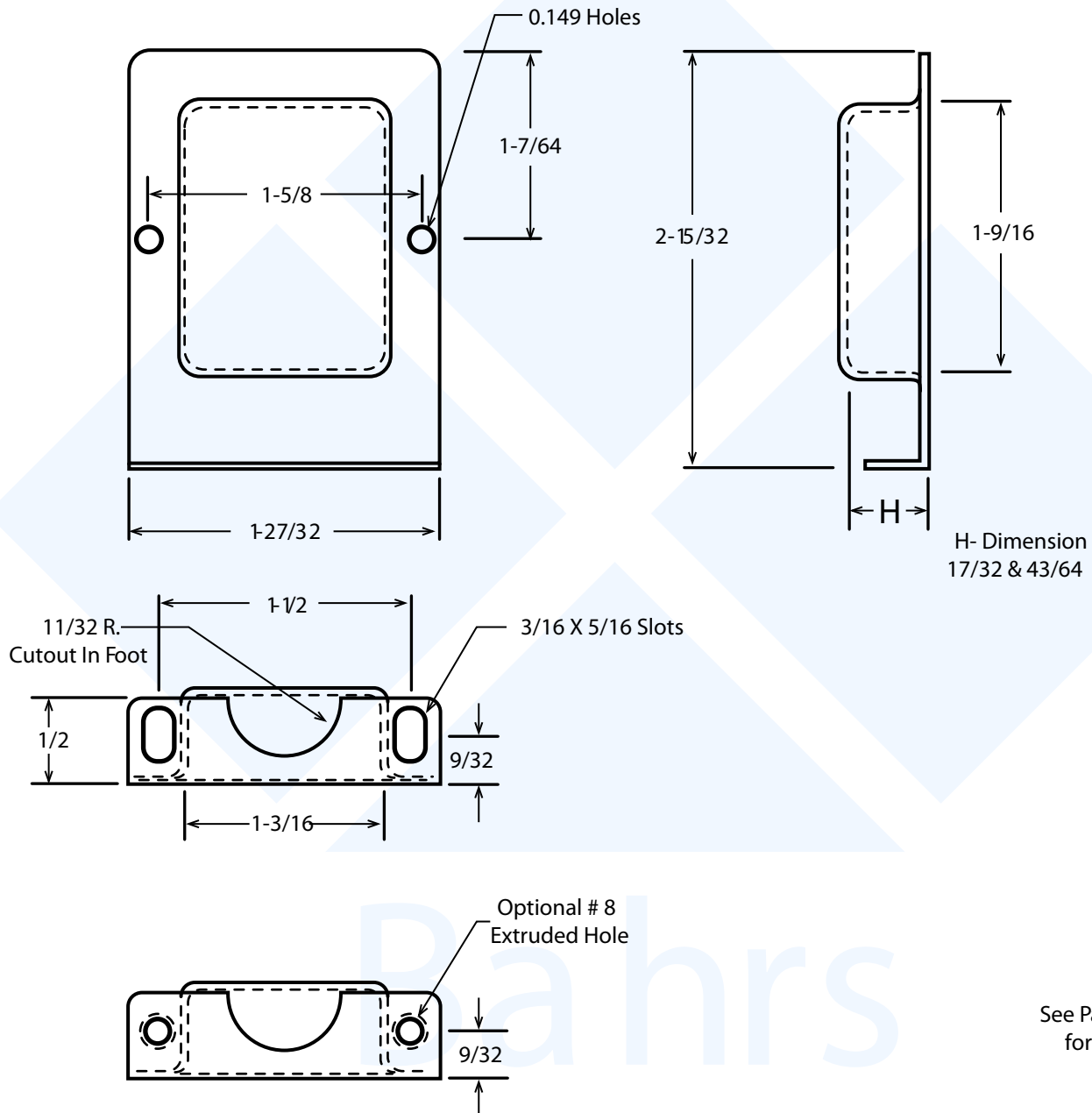


SH-224-EF



See Pages 35 & 36
for Lead Exits

Tolerances:
Decimal $\pm 0.005"$
Fractional $\pm 1/64"$

Material 22 GA
CRS - Colled Rolled Steel

Phone:(513) 793 -8 100
FAX:(513) 793 -0624

Links

E-Mail: info@bahrsdie.com
Web: www.bahrsdie.com



Bahrs

Die & Stamping Co., Inc.
4375 Rossplain Rd., Cincinnati, OH 45236